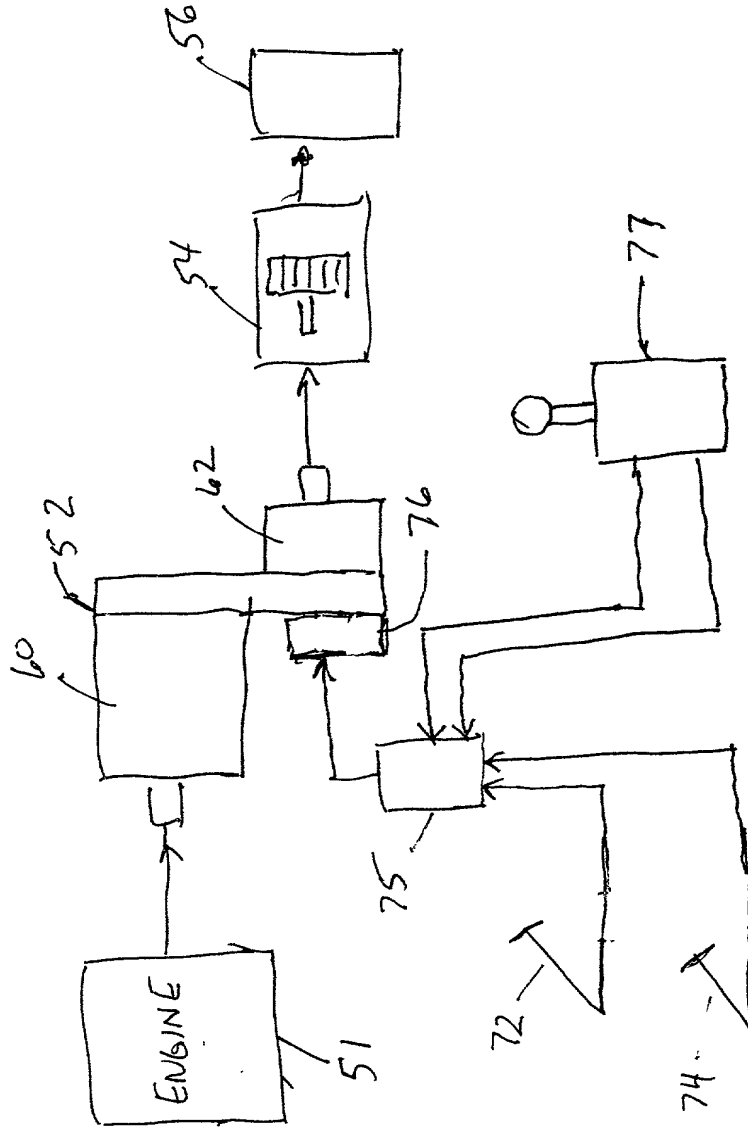


FIG 1

FIG 2



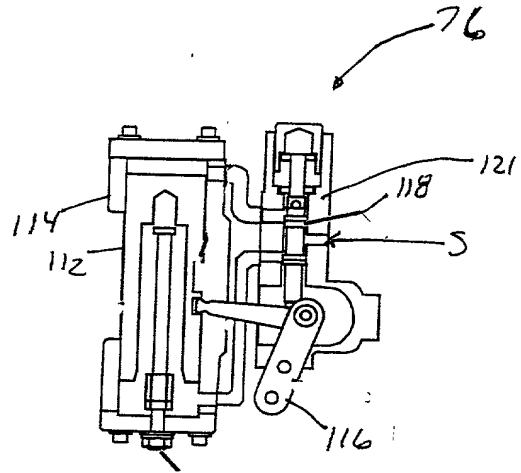


FIG. 3

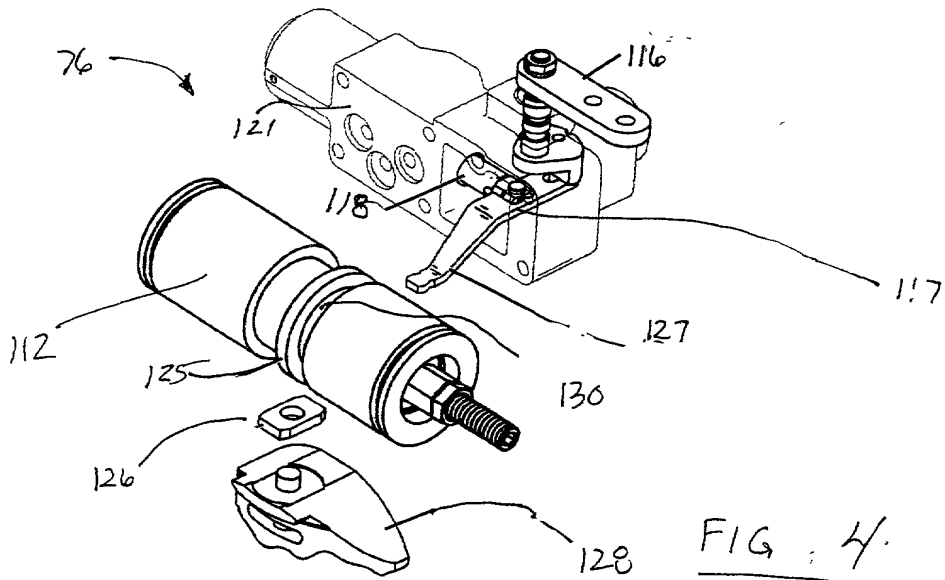
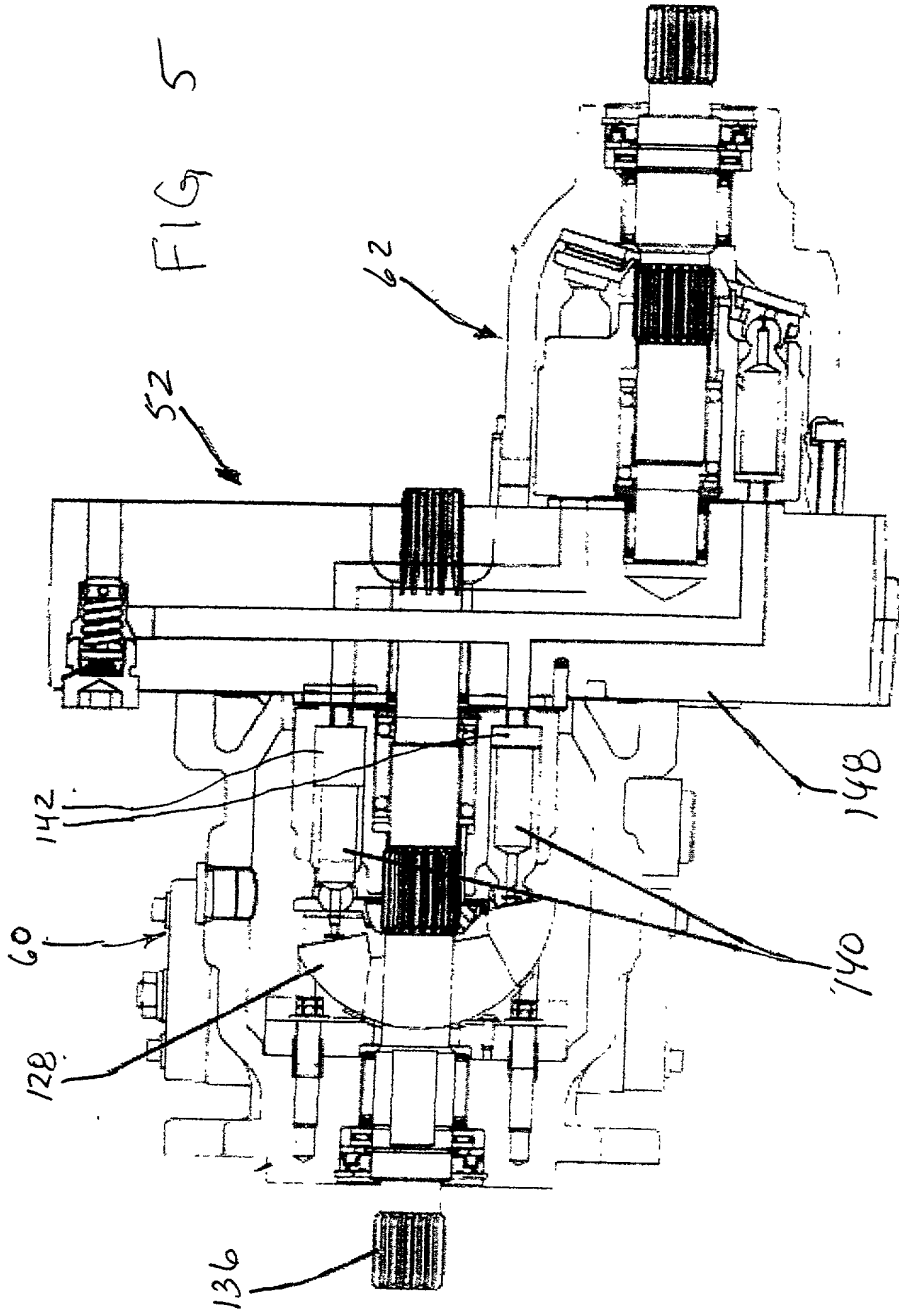
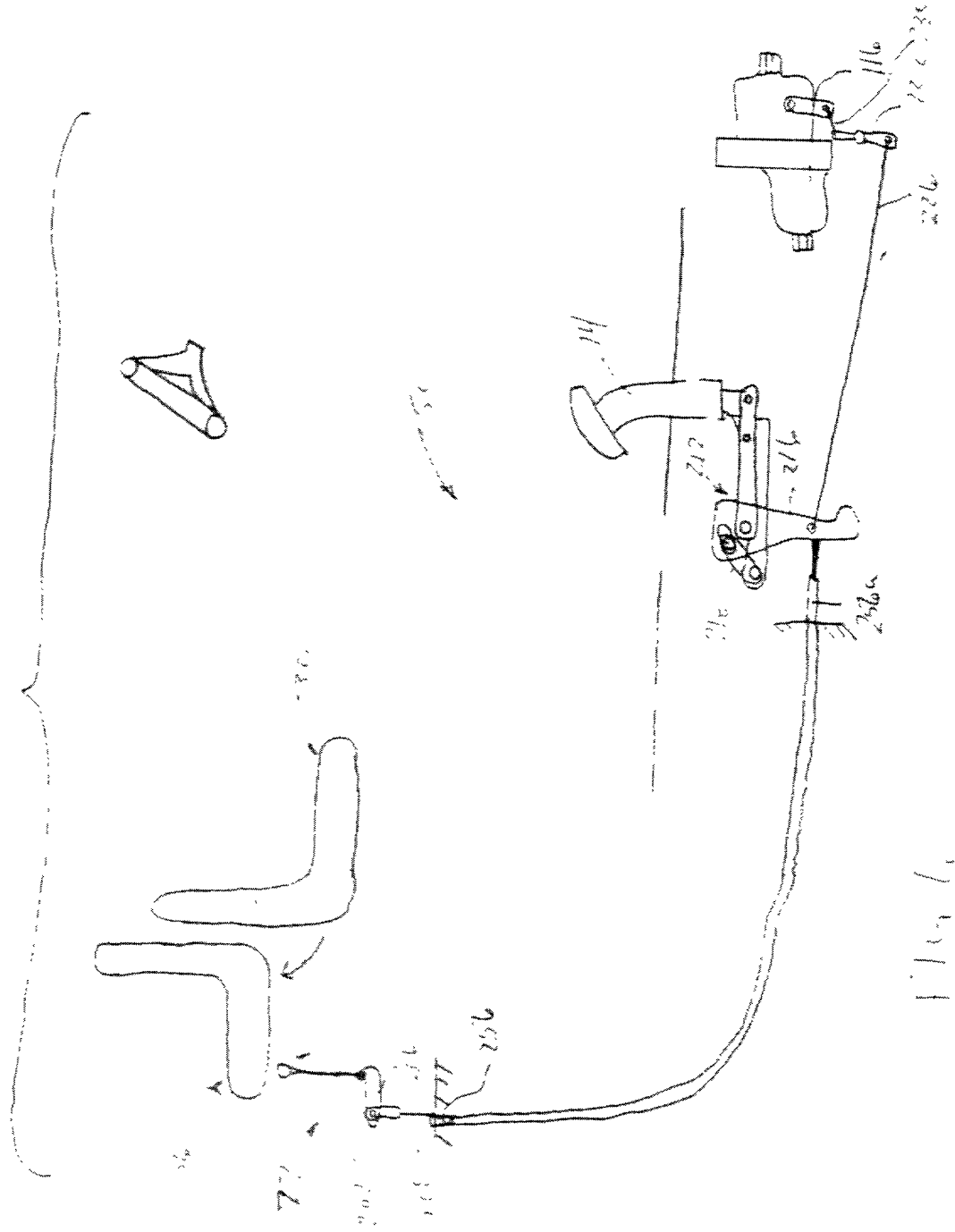


FIG. 4



REFLECTOR



1/10/11

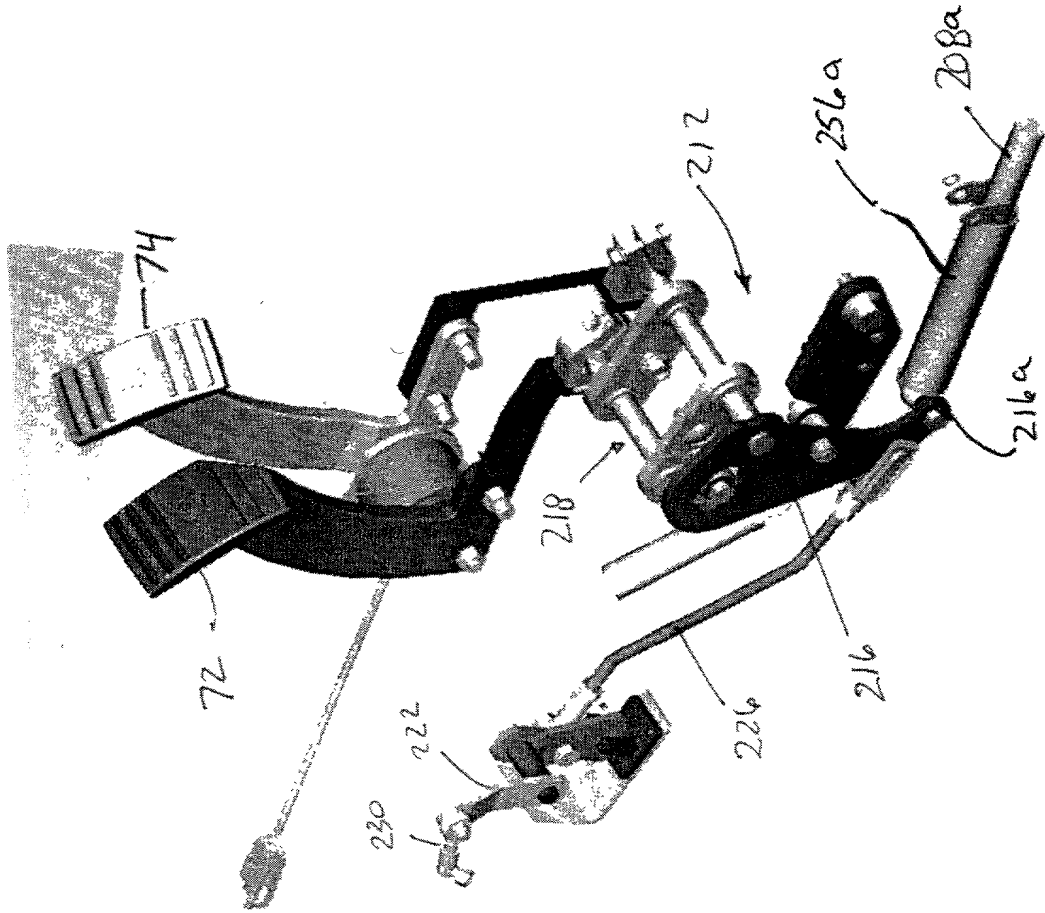
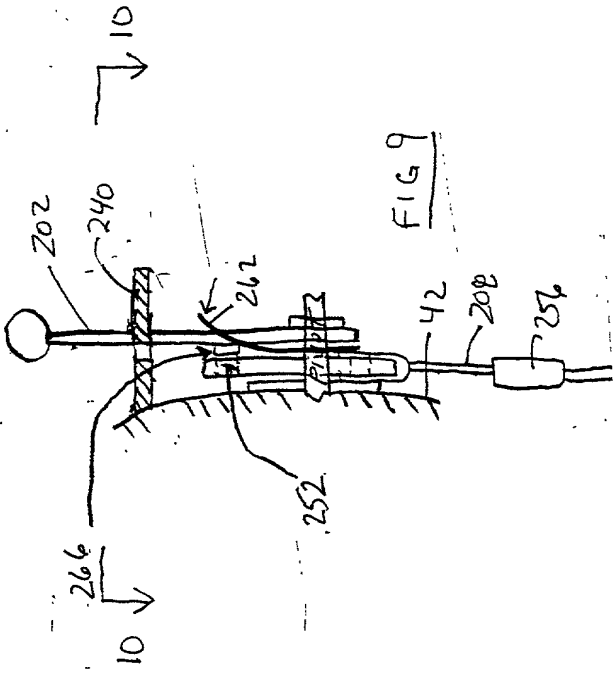
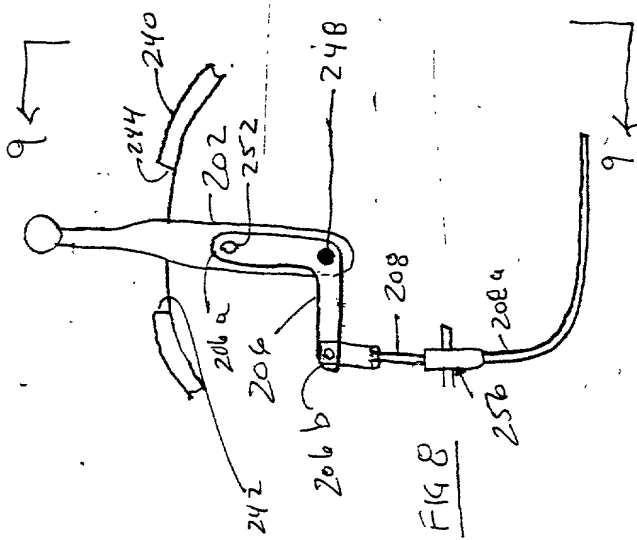
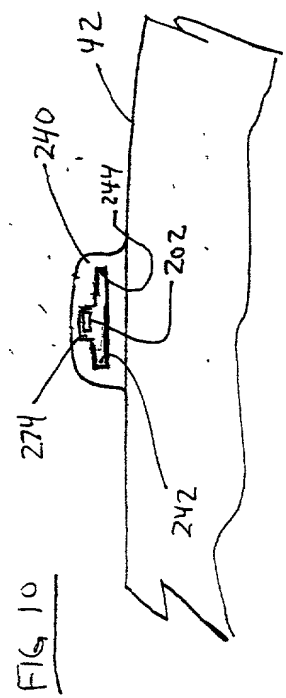


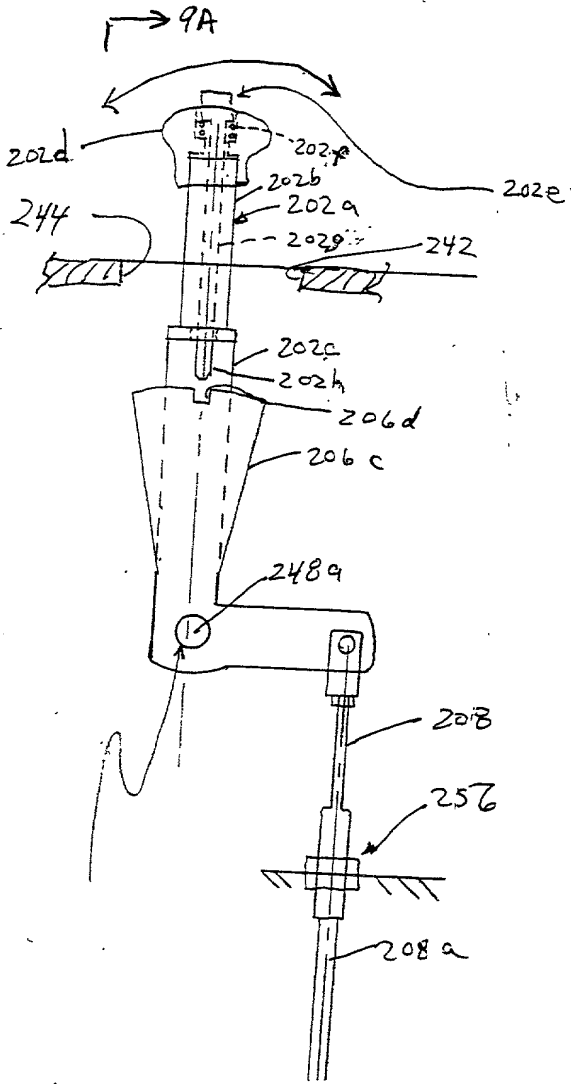
FIG 7



← N →



2025 RELEASE UNDER E.O. 14176



L → 9A

FIG 8A

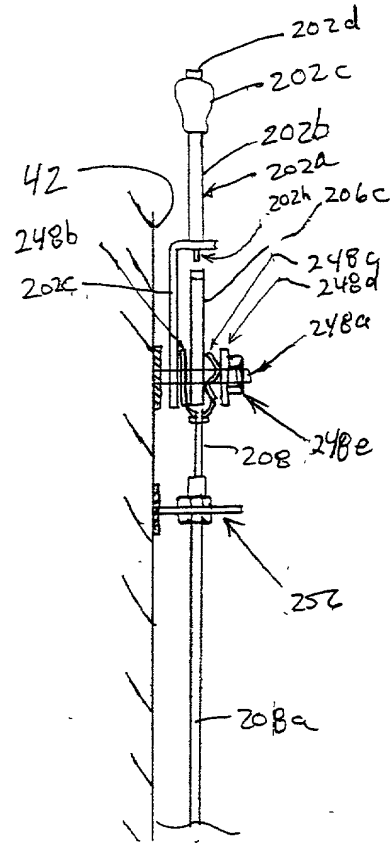
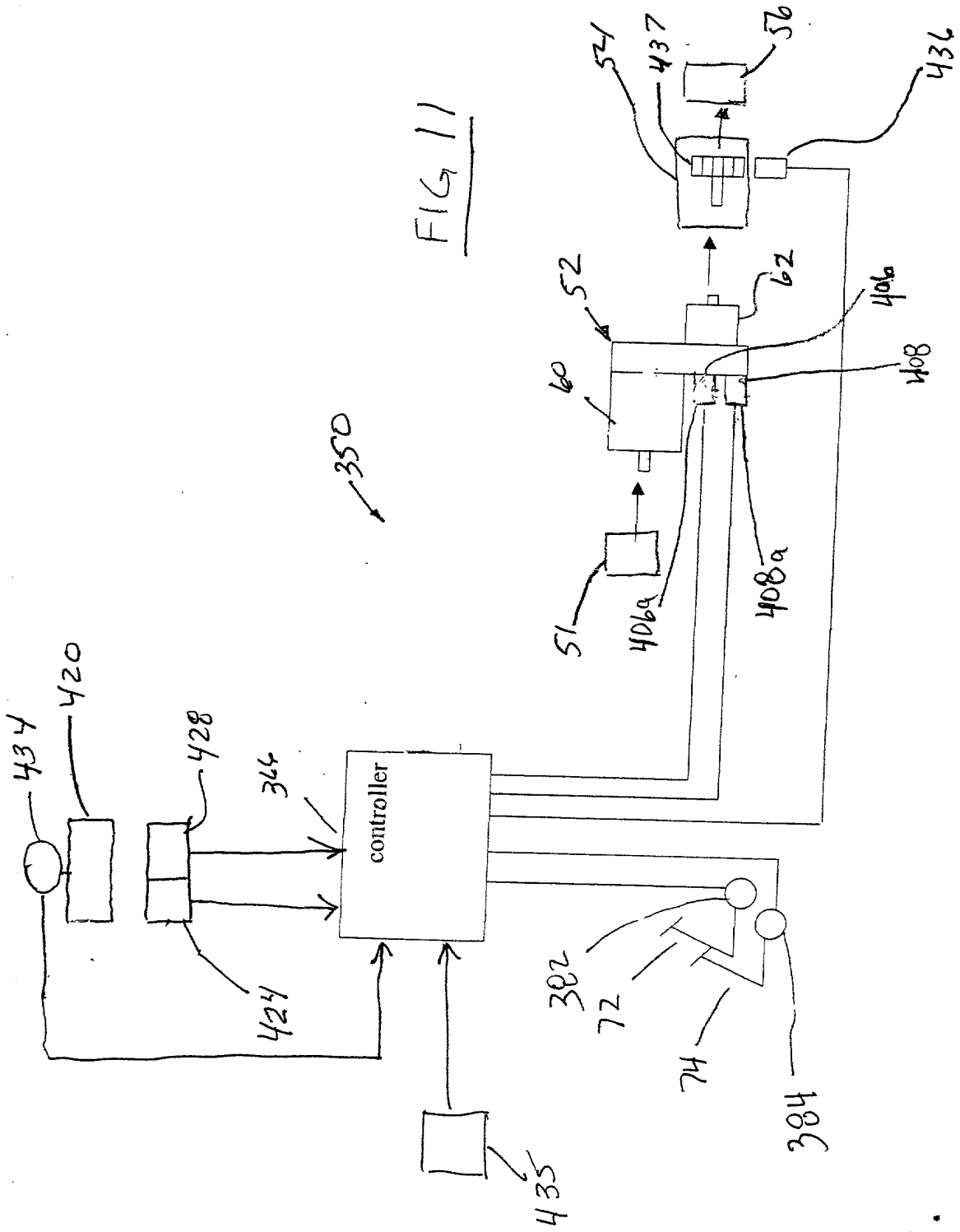
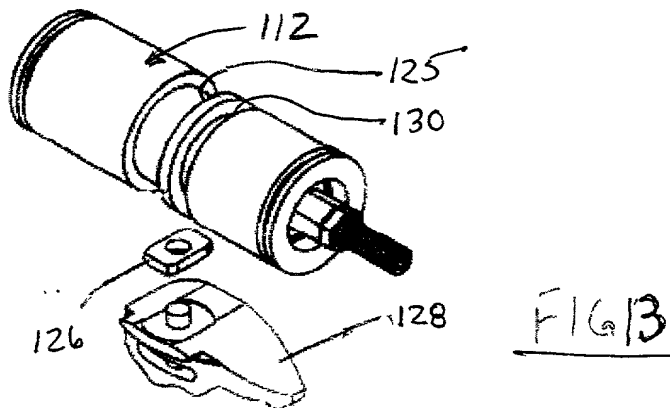
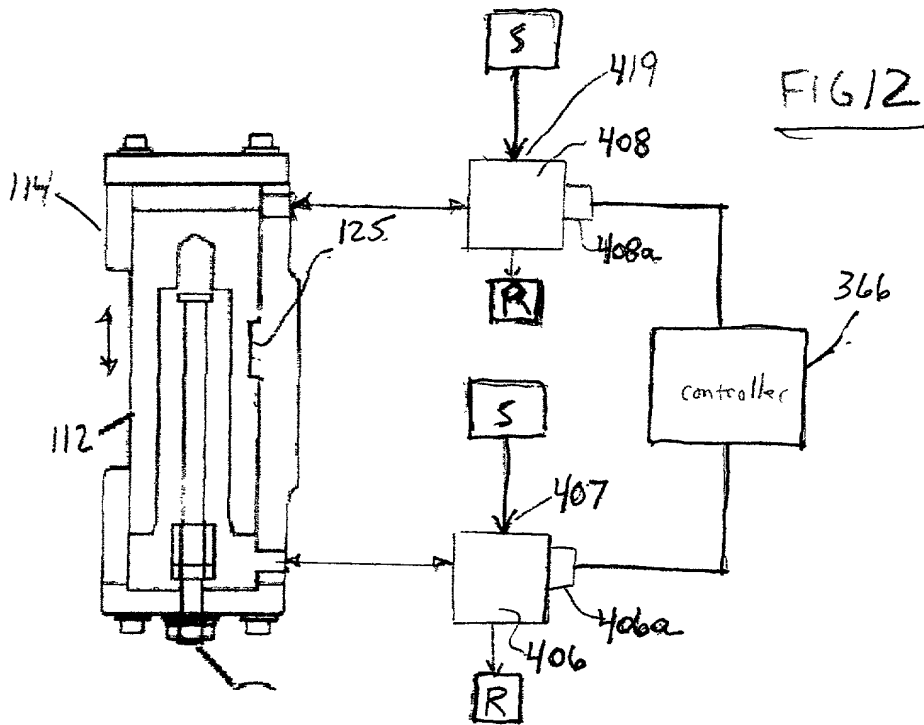


FIG 9A





20150307



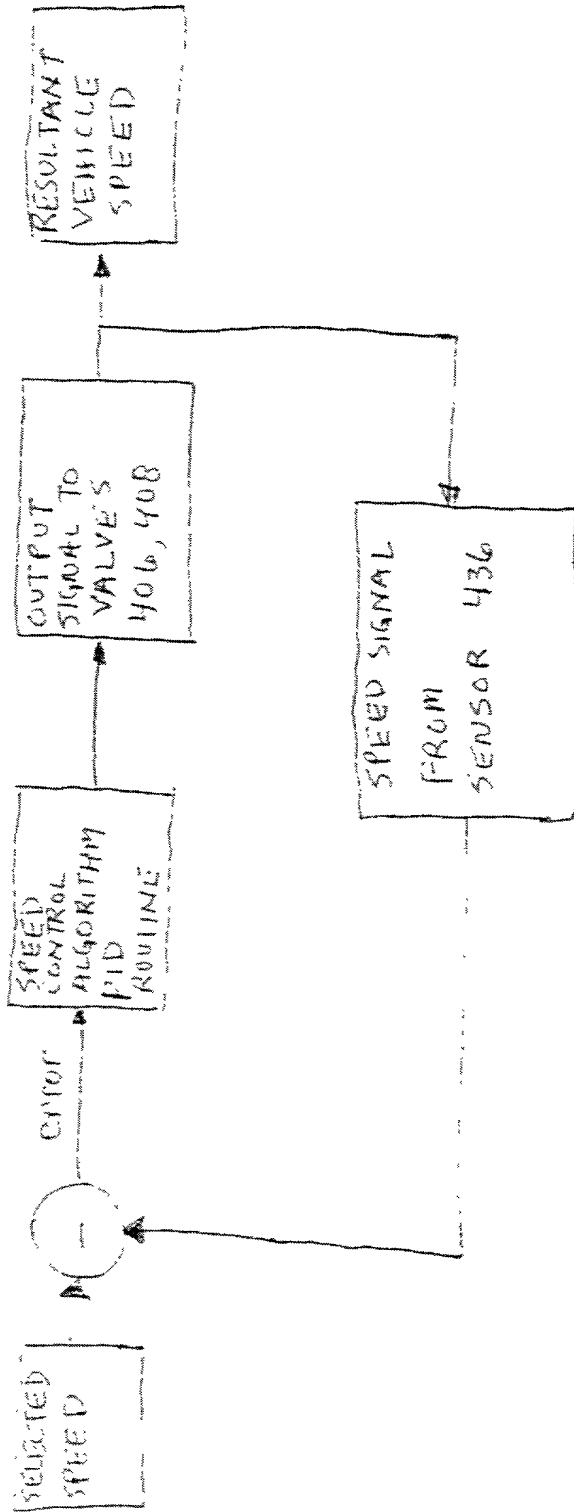


FIG 14

104404054002

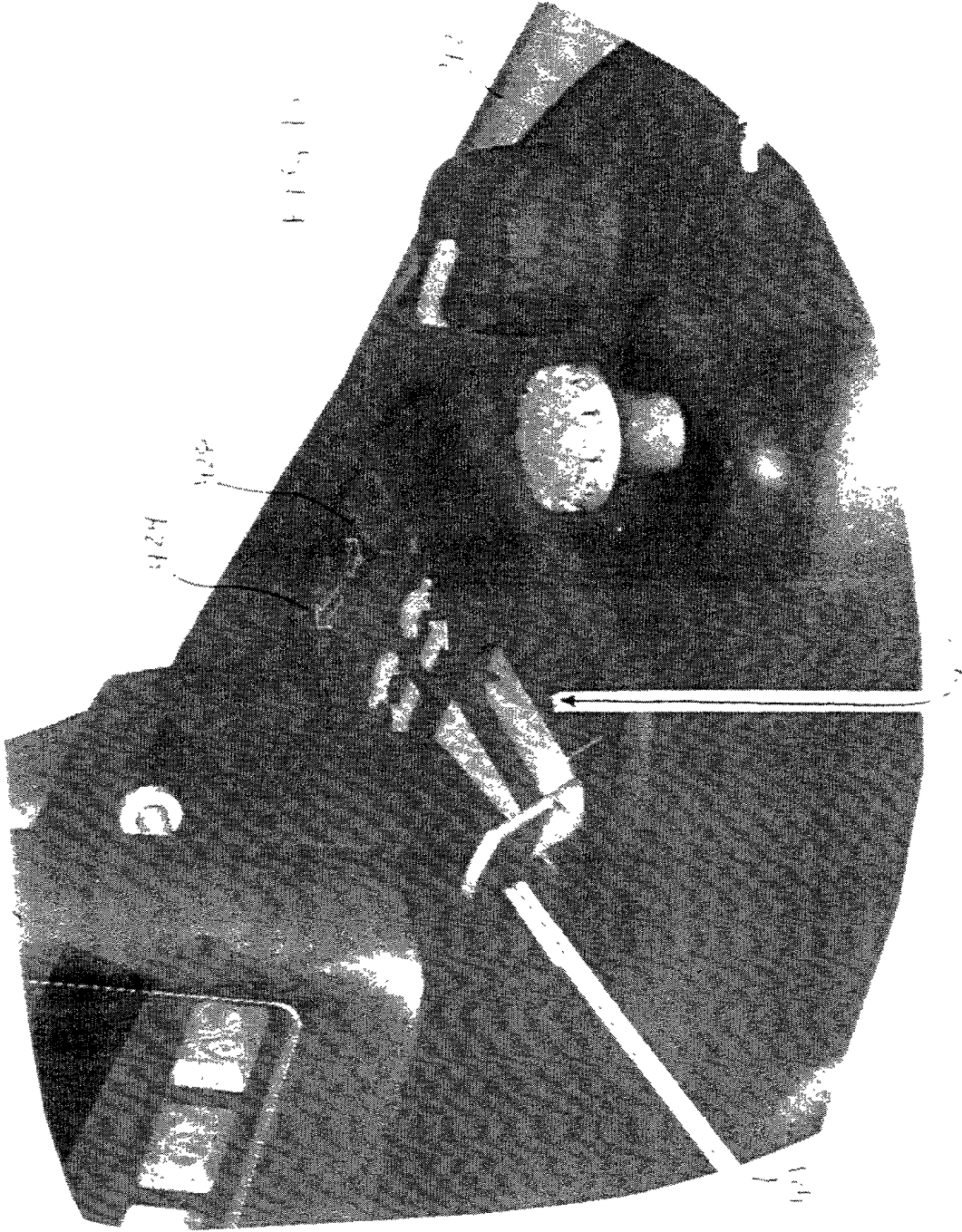


Fig 16

